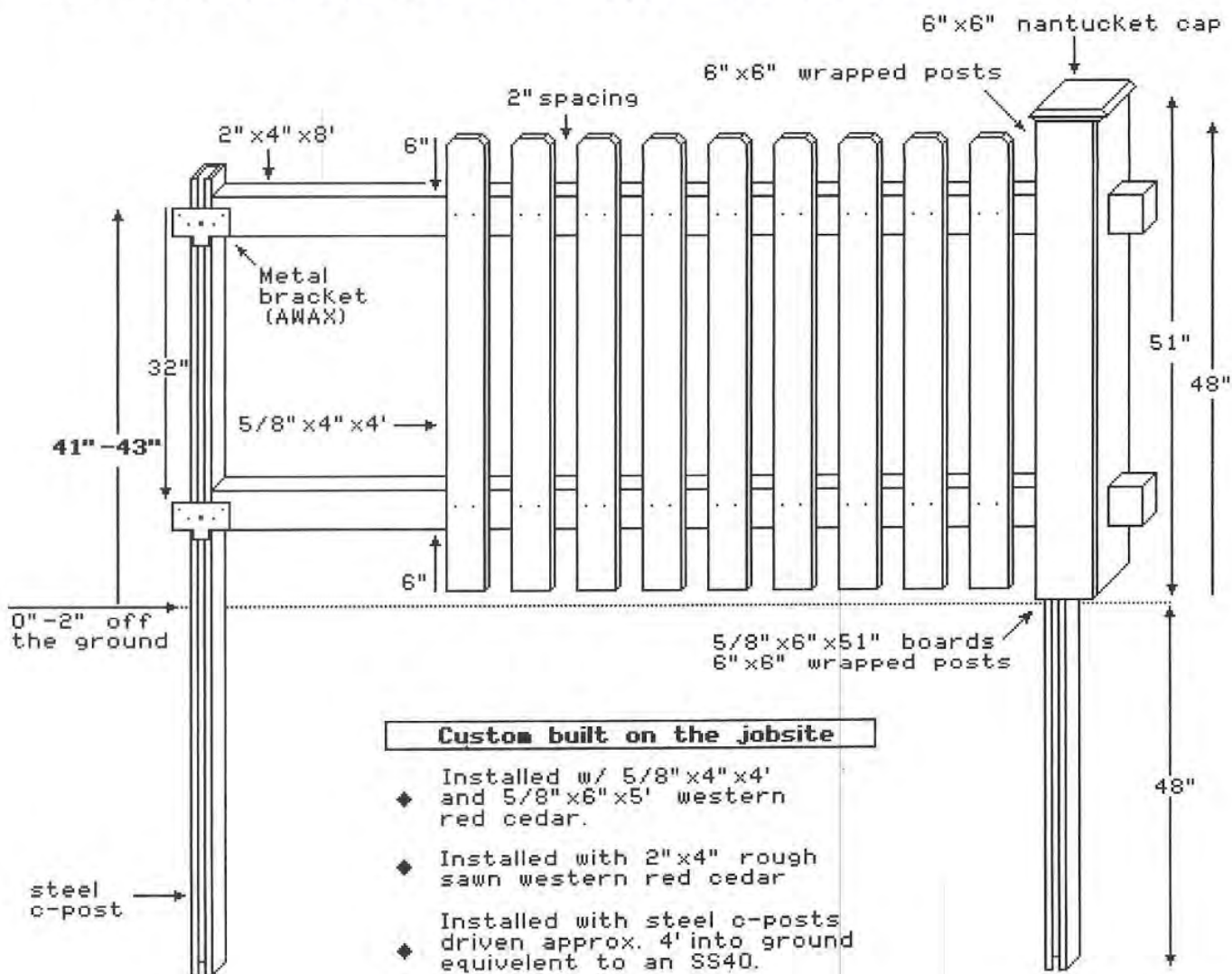


# EXHIBIT E-5 / Type I Board

Allowed in Grandview Commons and Smith's Crossing  
(front load and alley front – see page 9, 10 & 11)

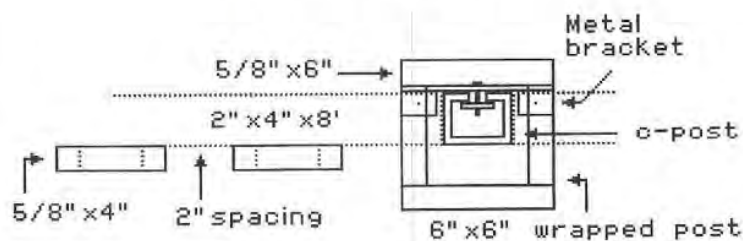
## 4' HIGH WOOD SPACED PICKET DOG-EARED W/ WRAPPED POSTS AND NANTUCKET CAPS



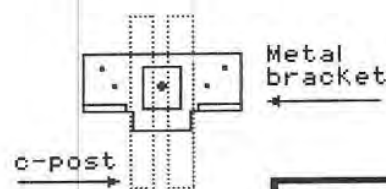
### Custom built on the jobsite

- ◆ Installed w/ 5/8" x 4" x 4' and 5/8" x 6" x 5' western red cedar.
- ◆ Installed with 2" x 4" rough sawn western red cedar
- ◆ Installed with steel c-posts driven approx. 4' into ground equivalent to an SS40.
- ◆ Installed with metal brackets (awax) that attach to post and screw into stringers
- ◆ Decorative Maxima hinges and lockable Maxima latches

### TOP VIEW



### SIDE VIEW

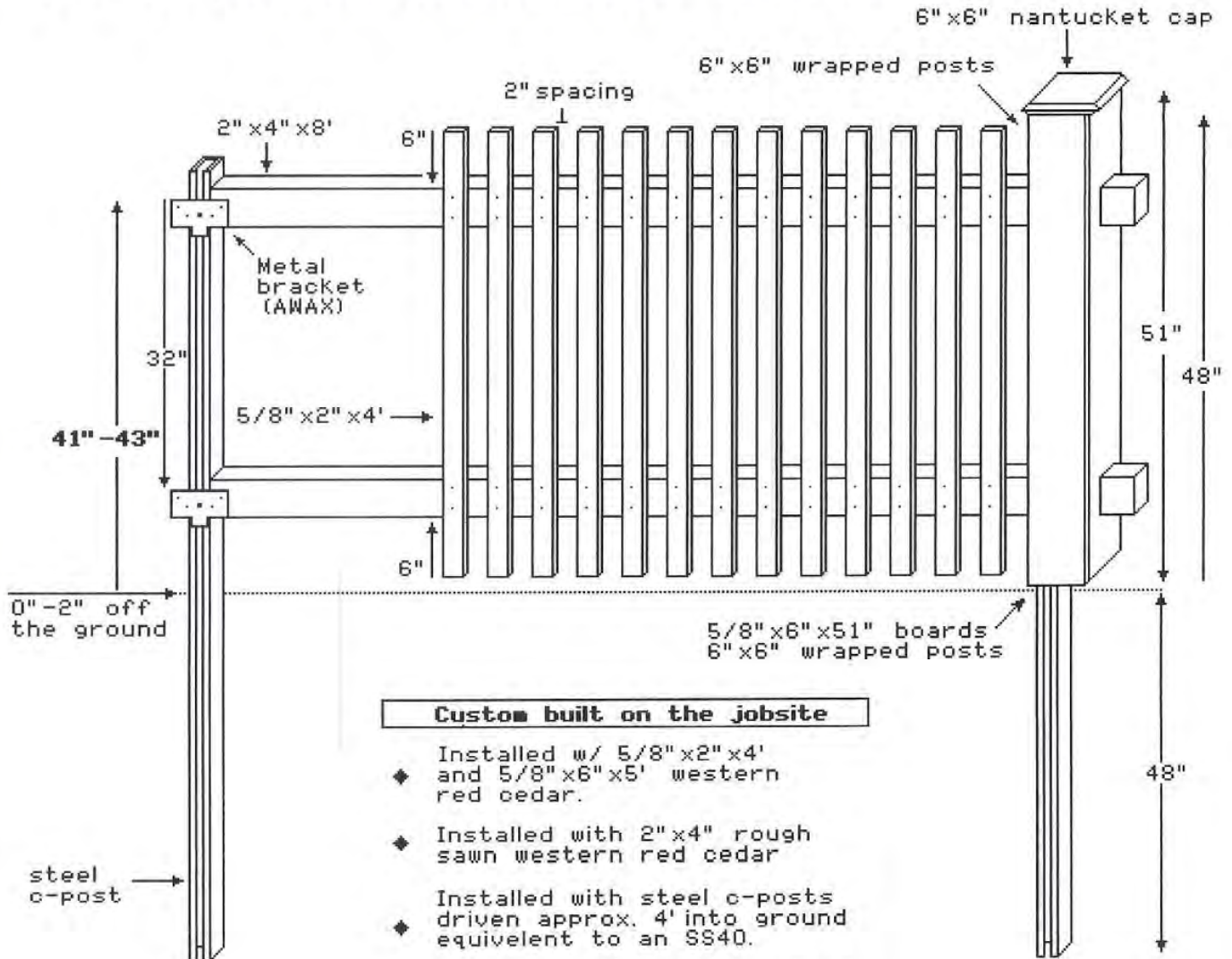


**TYPE 1 BOARD**

# EXHIBIT E-6 / Type I Stick

Allowed in Grandview Commons and Smith's Crossing  
(front load and alley front – see page 9, 10 & 11)

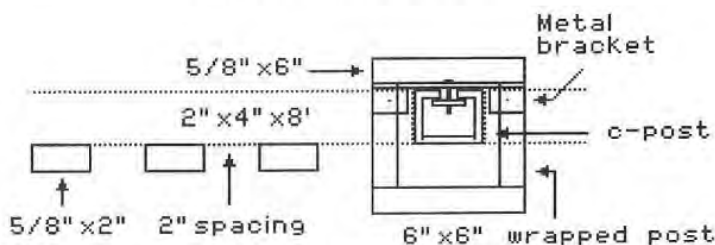
## 4' WOOD 2" SPACED PICKET 1" X2" X4' W/ WRAPPED POSTS AND NANTUCKET CAPS



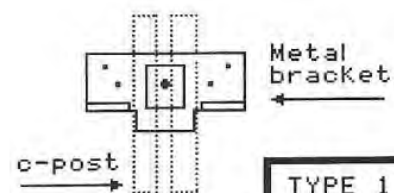
### Custom built on the jobsite

- ◆ Installed w/ 5/8"x2"x4' and 5/8"x6"x5' western red cedar.
- ◆ Installed with 2"x4" rough sawn western red cedar
- ◆ Installed with steel c-posts driven approx. 4' into ground equivalent to an SS40.
- ◆ Installed with metal brackets (awax) that attach to post and screw into stringers
- ◆ Decorative Maxima hinges and lockable Maxima latches

### TOP VIEW



### SIDE VIEW

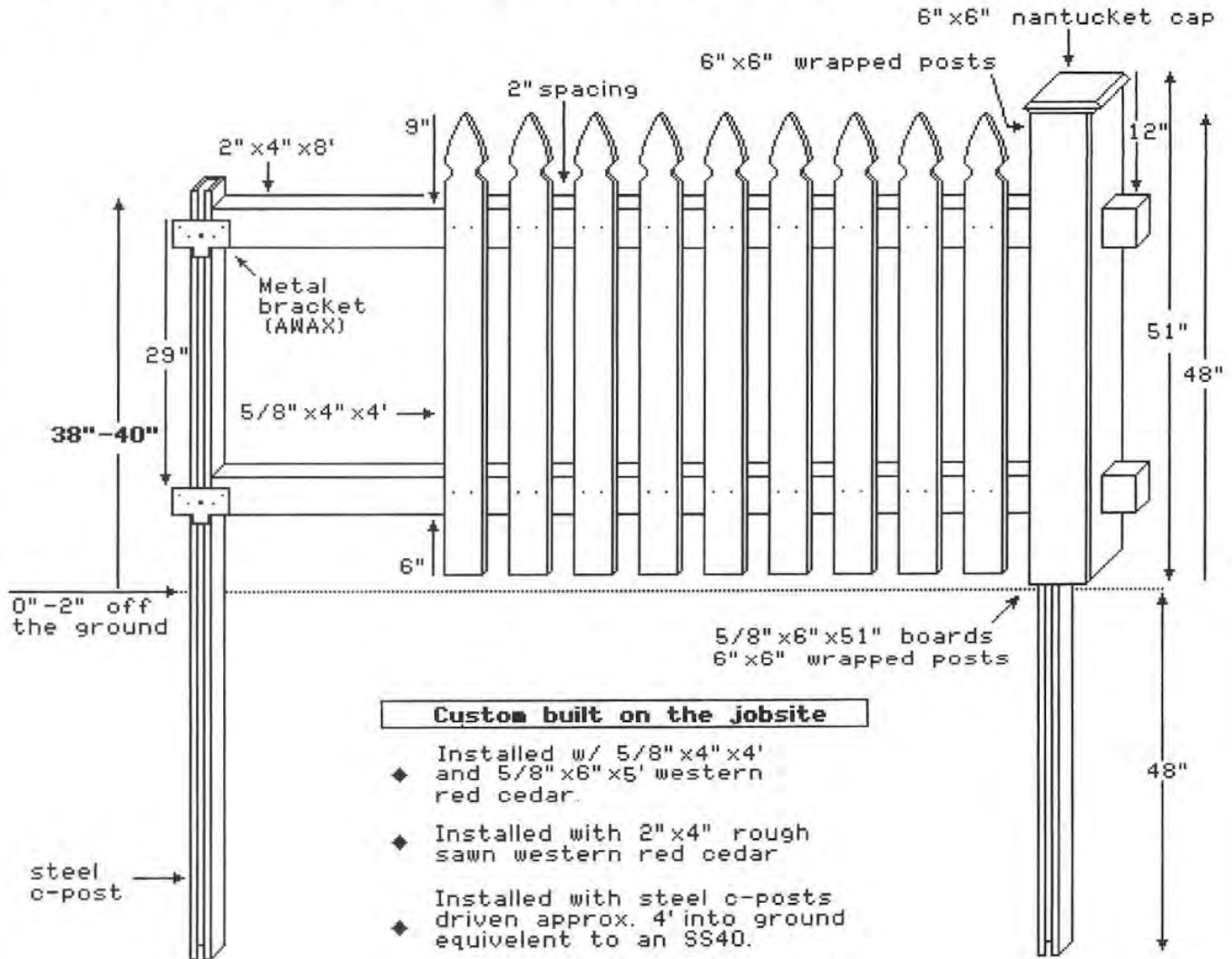


TYPE 1 STICK

# EXHIBIT E-7 / Type I Picket

Allowed in Grandview Commons and Smith's Crossing  
(front load and alley front – see page 9, 10 & 11)

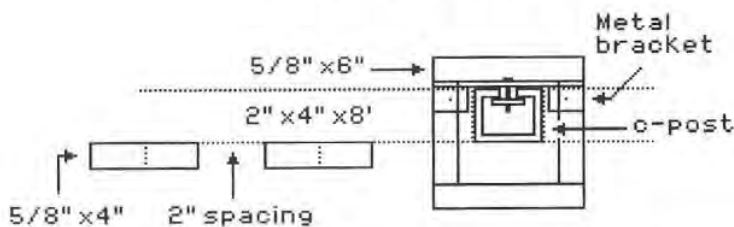
## 4' HIGH WOOD SPACED PICKET FRENCH GOTHIC W/ WRAPPED POSTS AND NANTUCKET CAPS



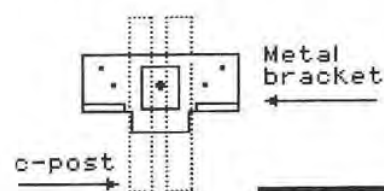
**Custom built on the jobsite**

- ◆ Installed w/ 5/8" x 4" x 4' and 5/8" x 6" x 5' western red cedar.
- ◆ Installed with 2" x 4" rough sawn western red cedar
- ◆ Installed with steel c-posts driven approx. 4' into ground equivalent to an SS40.
- ◆ Installed with metal brackets (awax) that attach to post and screw into stringers
- ◆ Decorative Maxima hinges and lockable Maxima latches

### TOP VIEW



### SIDE VIEW

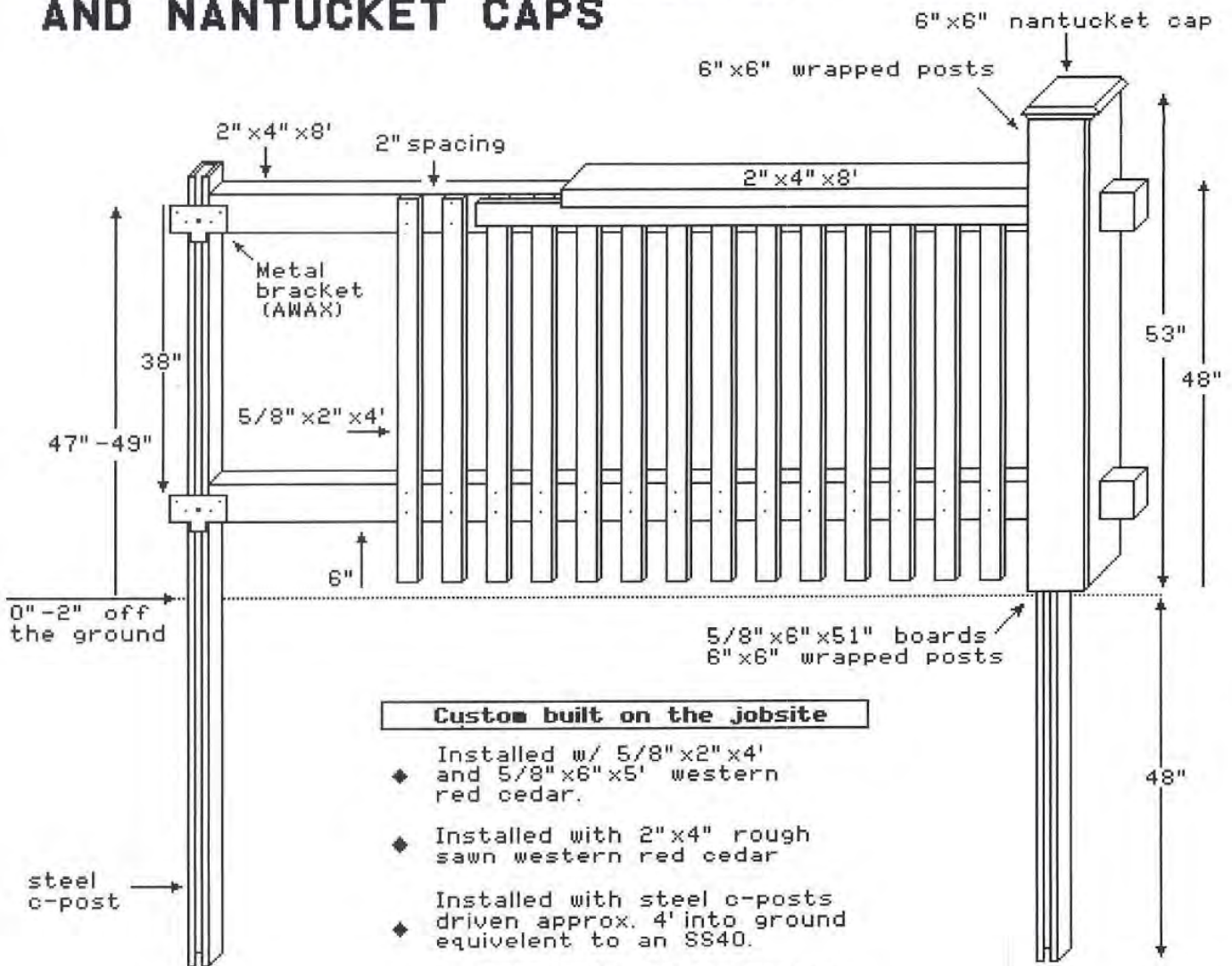


**TYPE 1 PICKET**

# EXHIBIT E-8 / Type I Rail

Allowed in Grandview Commons and Smith's Crossing  
(front load and alley front – see page 9, 10 & 11)

## 4' WOOD 2" SPACED PICKET 1" X 2" X 4' W/ WRAPPED POSTS, TOPPER, TOP TRIM AND NANTUCKET CAPS

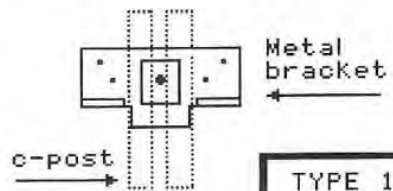
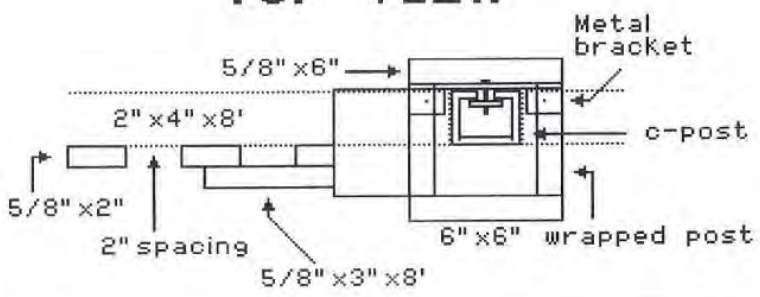


**Custom built on the jobsite**

- ◆ Installed w/ 5/8" x 2" x 4' and 5/8" x 6" x 5' western red cedar.
- ◆ Installed with 2" x 4" rough sawn western red cedar
- ◆ Installed with steel c-posts driven approx. 4' into ground equivalent to an SS40.
- ◆ Installed with metal brackets (awax) that attach to post and screw into stringers
- ◆ Decorative Maxima hinges and lockable Maxima latches

### TOP VIEW

### SIDE VIEW

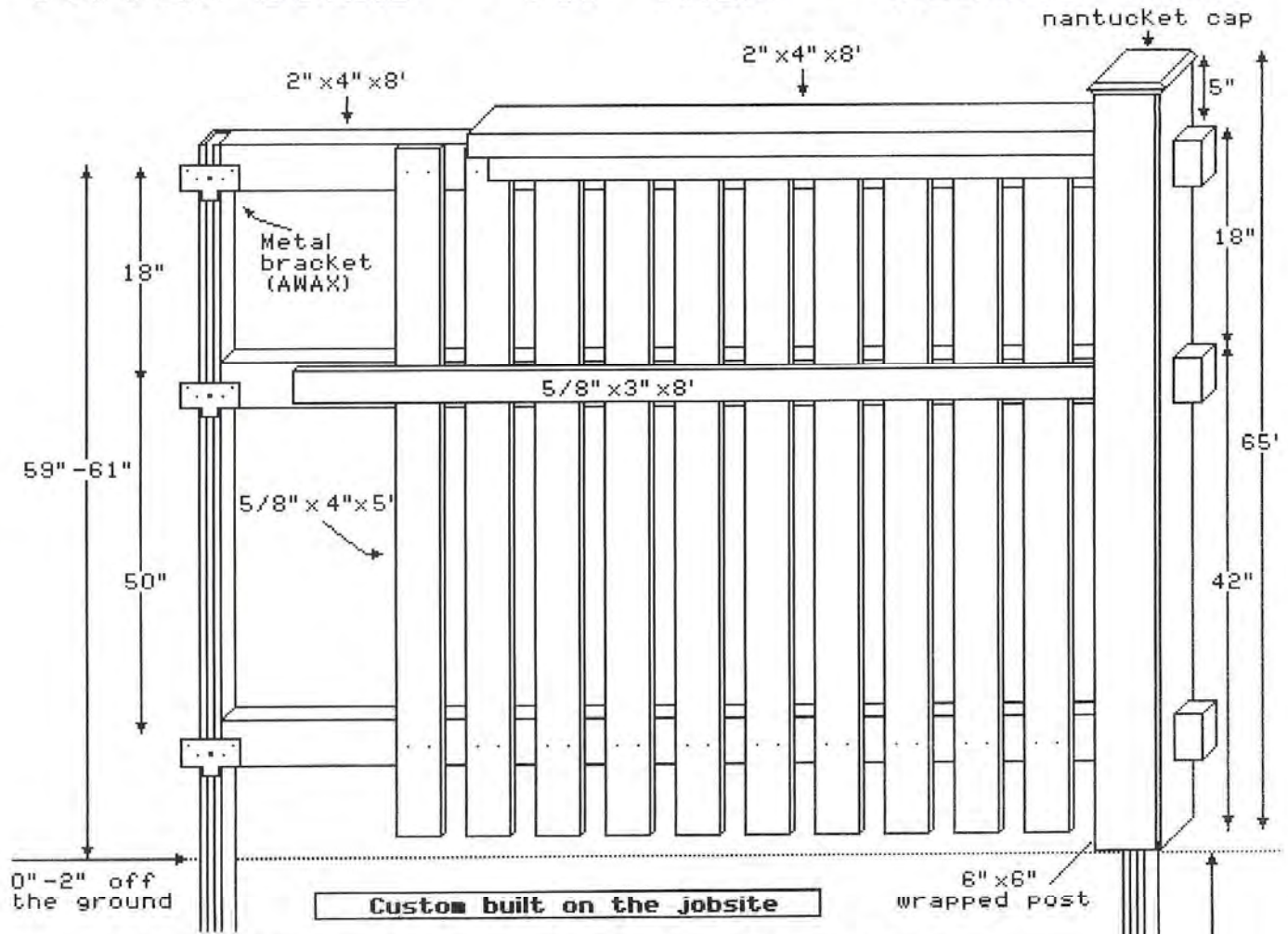


**TYPE 1 RAIL**

# EXHIBIT E-3 / Type II Board

Allowed in Grandview Commons and Smith's Crossing  
(alley rear – see page 9 & 10)

## 5' HIGH 1X4 PICKET WITH A 2" SPACE W/ WRAPPED POSTS AND NANTUCKET CAPS TOPPER BOARD – TOP TRIM – MIDDLE TRIM



◆ Installed w/ 5/8" x 4" x 5' 5/8" x 6" x 5' & 5/8" x 3" x 8' western red cedar.

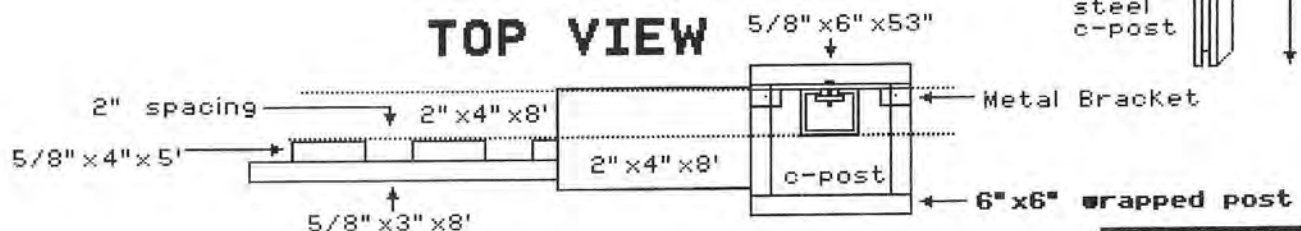
◆ Installed with 2" x 4" rough sawn western red cedar

◆ Installed with steel c-posts driven approx. 4' into ground equivalent to an SS40.

◆ Installed with metal brackets (awax) that attach to post and screw into stringers

◆ Installed with decorative nantucket post caps to fit 6" x 6" wrapped posts.

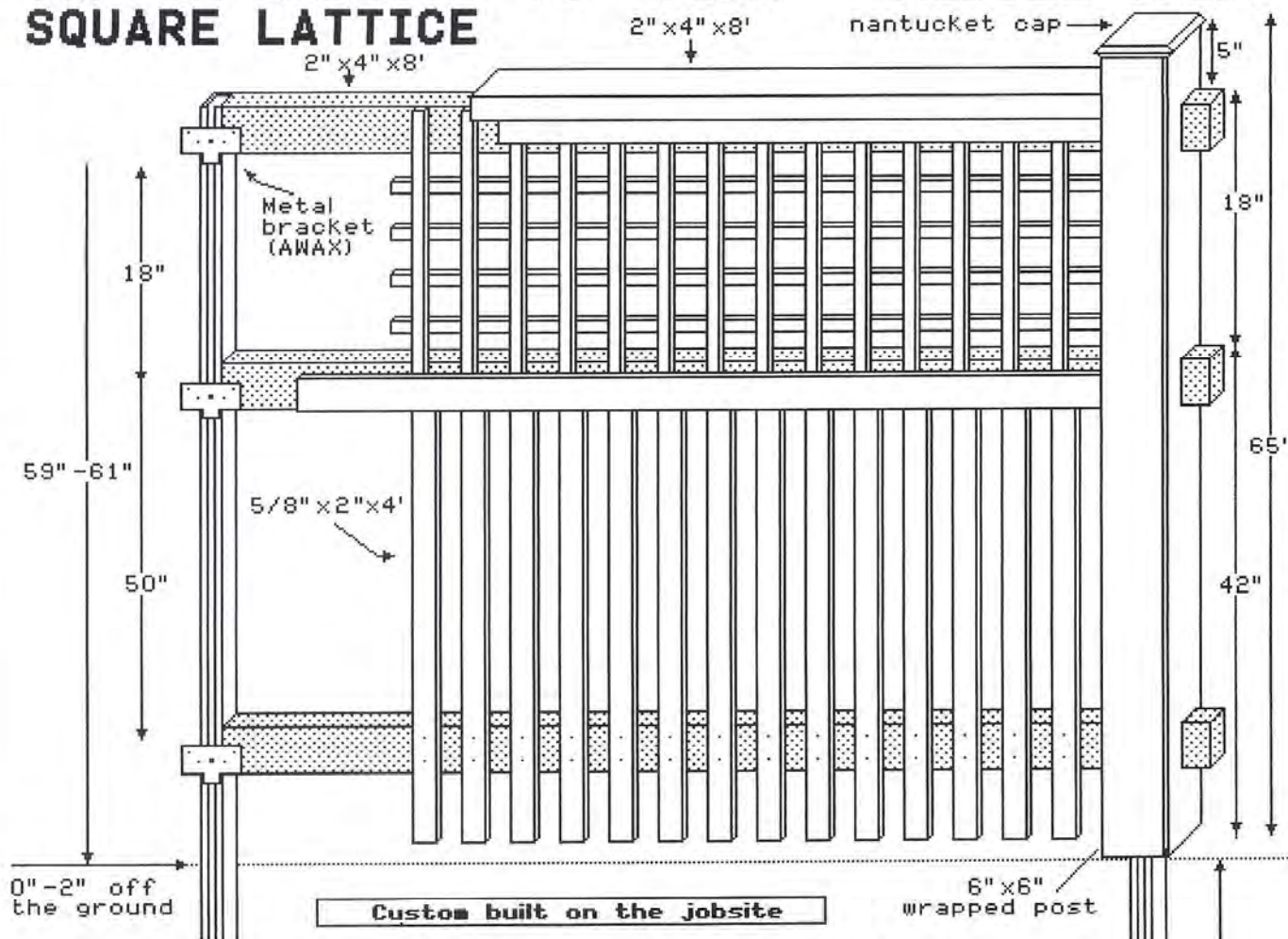
### TOP VIEW



**TYPE II BOARD**

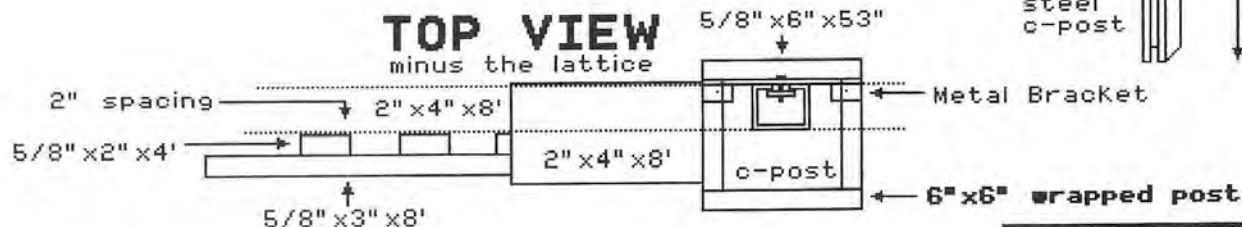
**EXHIBIT E-3 / Type II Picket**  
 Allowed in Grandview Commons and Smith's Crossing  
 (alley rear – see page 9 & 10)

**5' HIGH 1X2 PICKET WITH A 2" SPACE  
 W/ WRAPPED POSTS AND NANTUCKET CAPS  
 TOPPER BOARD - TOP TRIM - MIDDLE TRIM  
 SQUARE LATTICE**



- ◆ Installed w/ 5/8" x 2" x 4' 5/8" x 6" x 5' & 5/8" x 3" x 8' western red cedar.
- ◆ Installed with 2" x 4" rough sawn western red cedar
- ◆ Installed with steel c-posts driven approx. 4' into ground equivalent to an SS40.

- ◆ Installed with metal brackets (awax) that attach to post and screw into stringers
- ◆ Installed with decorative nantucket post caps to fit 6" x 6" wrapped posts.
- ◆ Lattice will be 1" x 5/8" strips with 2 3/4" squares.

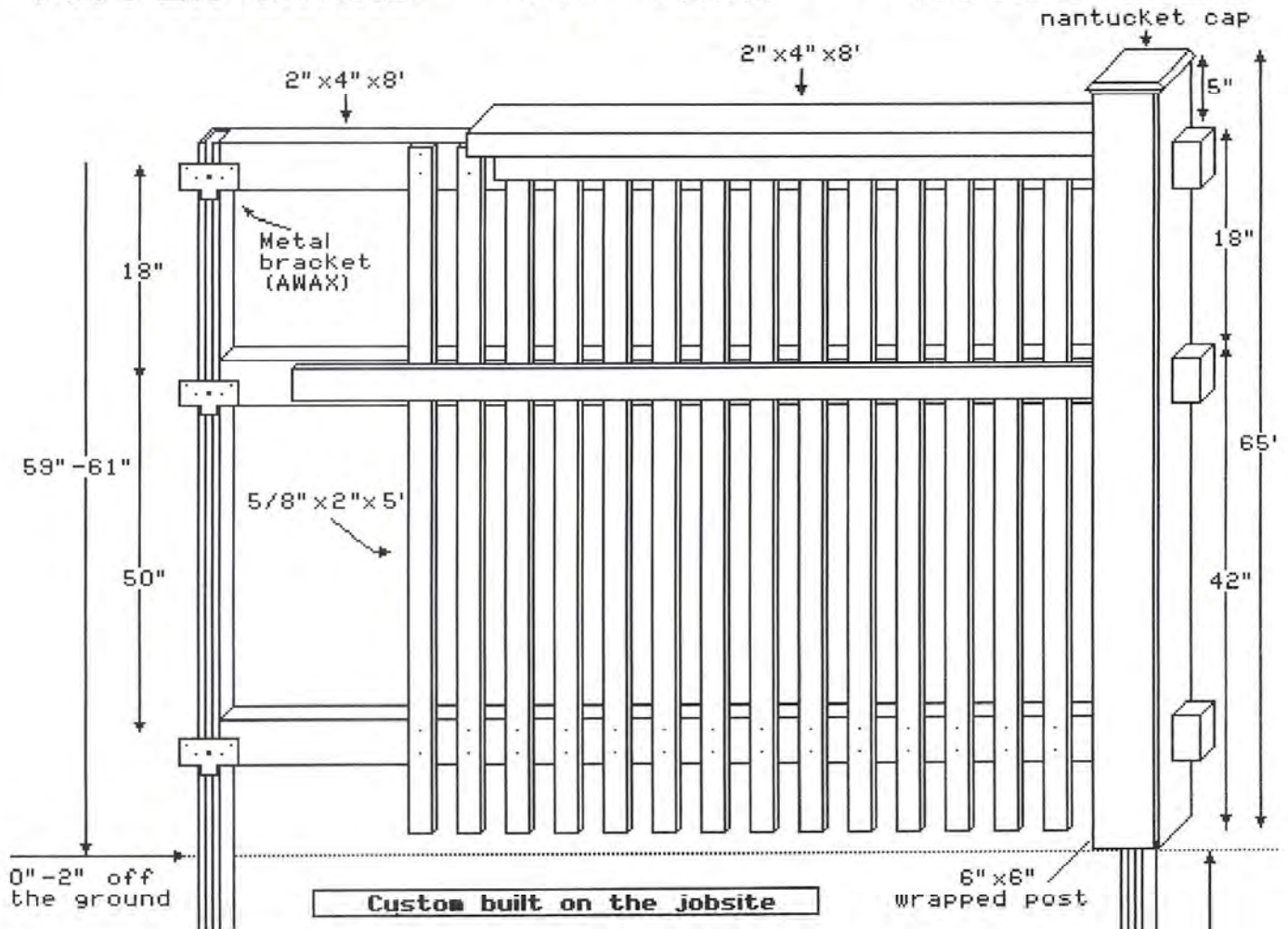


**TYPE II PICKET**

# EXHIBIT E-3 / Type II Rail

Allowed in Grandview Commons and Smith's Crossing  
(alley rear – see page 9 & 10)

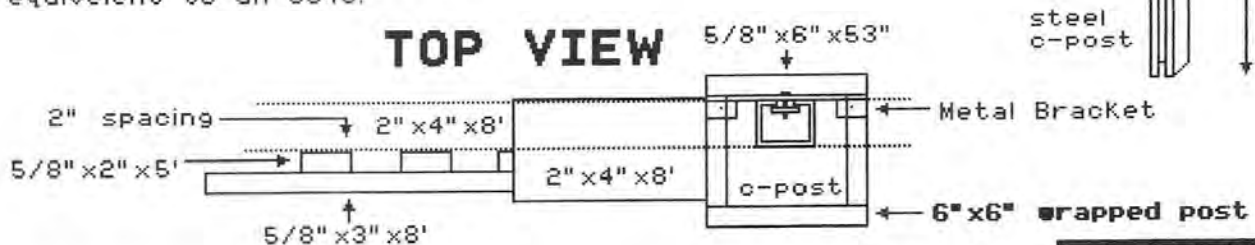
## 5' HIGH 1X2 PICKET WITH A 2" SPACE W/ WRAPPED POSTS AND NANTUCKET CAPS TOPPER BOARD – TOP TRIM – MIDDLE TRIM



- ◆ Installed w/ 5/8" x 2" x 5' 5/8" x 6" x 5' & 5/8" x 3" x 8' western red cedar.
- ◆ Installed with 2" x 4" rough sawn western red cedar
- ◆ Installed with steel c-posts driven approx. 4' into ground equivalent to an SS40.

- ◆ Installed with metal brackets (awax) that attach to post and screw into stringers
- ◆ Installed with decorative nantucket post caps to fit 6" x 6" wrapped posts.

### TOP VIEW



**TYPE II RAIL**

# EXHIBIT E-3 / Type II Stick

Allowed in Grandview Commons and Smith's Crossing  
(alley rear – see page 9 & 10)

